



Mini Rig HDD Swivels

Mini Rig HDD Swivels



The Mini Rig range offers the directional driller a high quality swivel at a competitive price. Using all our big swivel expertise we have engineered a range of compact and durable swivels for the cost concious operator.

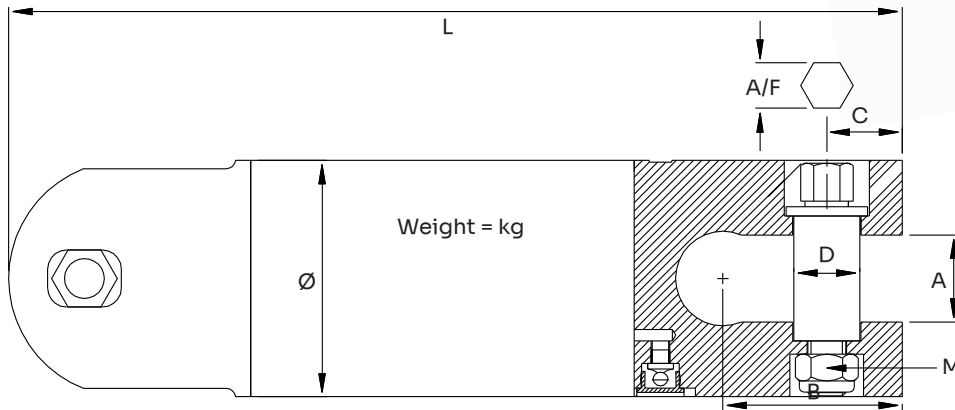
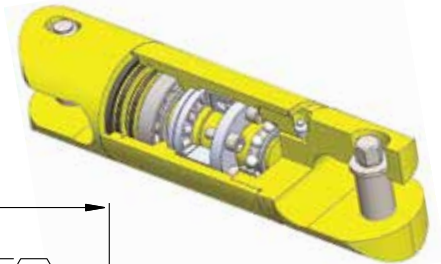


Mini Rig Features

Product Features

- Patented sealing system keeps bentonite out but allows power gaslighting.
- Shaft & clevis made from single steel billet - gives maximum strength and durability.

- Clevis to clevis design.
- Sizes — US Tons 10, 15, 20, 30.
- Easy access side grease nipple.



Technical Specifications

Swivel	SWL lb	SWL kg	L	Ø	A	B	C	D	A/F	M	kg
10 US Ton	20,000	9,000	345	80	38	67	25	25.4	17	m20	9
15 US Ton	30,000	13,600	442	108	44	99	37.5	29	20	m16	22
20 US Ton	40,000	18,100	345	80	46	95	40	35	24	m20	32
30 US Ton	60,000	27,200	345	80	46	101	43	35	24	m24	41

All dimensions in mm, weights and dimensions subject to change without notice.

Note: we reserve the right to amend the specifications without notice. E&OE