



ProData

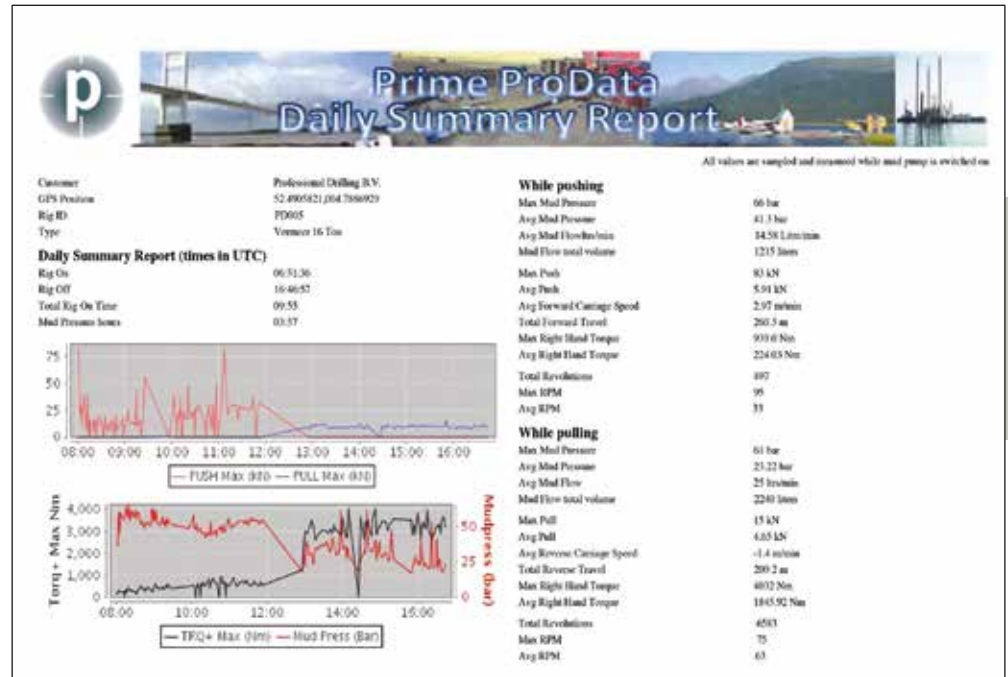
Prime Horizontal



ProData is a system for measuring drilling parameters and displaying them at the rig site and in the office via an internet connection.

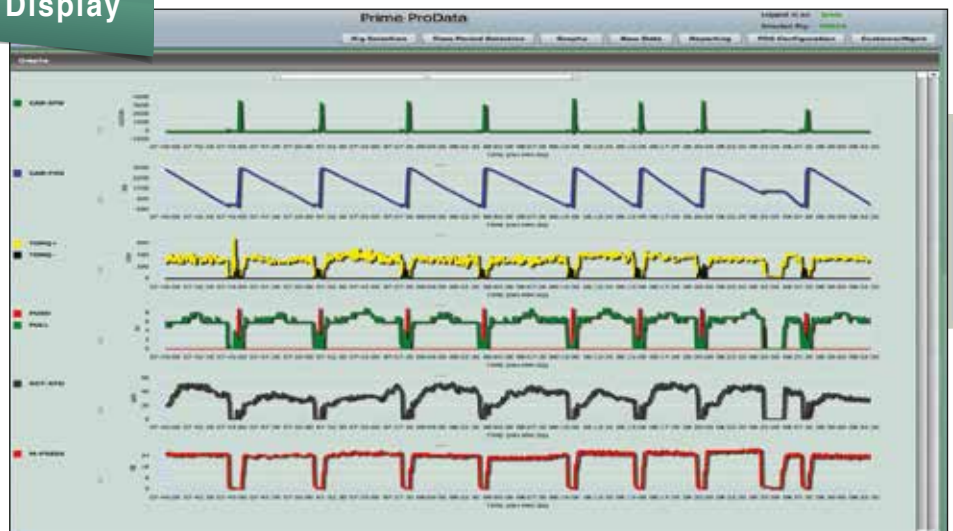
ProData Benefits

- Daily Reports give concise overview of drilling activities
- In depth analysis of the drilling operation
- Reduced downtime
- Reduced broken pipe and stuck in hole problems
- High and low preset alarms of all measured drilling parameters
- Independent 3rd Party measurements
- Real time graphical representations of drilling parameters measured every three seconds
- Increased tooling life
- Data archive off site
- Multiple operations oversight from one location
- Facilitates decision making
- Savings in supervisory man hours on the drill site



Daily summary report

Data Display



Portal screen shot

Prime Horizontal offices

United States, Canada, Mexico, Brazil

Prime Horizontal Inc
 1302 Gulf Boulevard, New Iberia, LA 70560 US
 Ph (US): +1 337 359 9061
 Ph (CA): +1 780 800 6614
 Ph (BRZ): +55 71 3023 0934

Europe, China, Middle East

Prime Horizontal Ltd
 Salland 3
 1948 RE Beverwijk
 The Netherlands
 Phone: +31 251 271 790

Australia, Southeast Asia, India

Prime Horizontal Australia Pty Ltd
 10 Enterprise Street, Cleveland,
 QLD 4163, Australia
 Ph (AUS): +61 73 821 3684
 Ph (IND): Phone: +91 997 172 9753

www.primehorizontal.com



ProData

Prime Horizontal



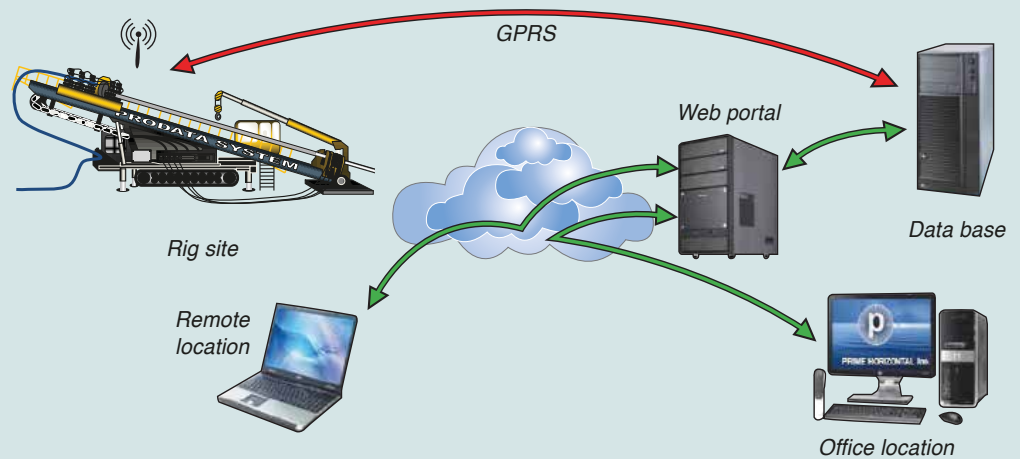
The ProData System Features

- Retrofit existing rigs or install on new rigs
- Suitable for installation on rigs from 12 to 600 tons
- Use of field proven and internationally certified sensors
- Use of modular design for adding new data packages
- Use of WiFi® to transfer sensor data to the Logging Module to avoid using cables at the drill site
- Use of touch screen technology
- Ruggedized and reliable against vibration and ingress protection to minimum IP67
- Automatic data transfer off-site by GPRS
- Security, with password access for each rig and each client
- Capability of multiple rigs per client
- Up to 6 months additional on site data storage for remote locations

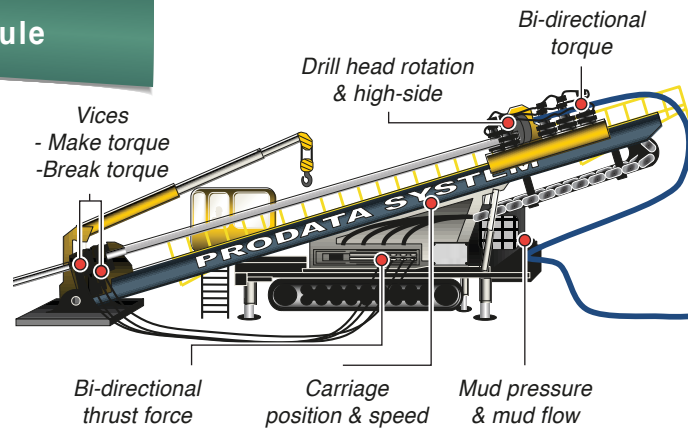
ProData System

Data from the ProData Rig Module is automatically transmitted from the rig site by GPRS to the database server where the data is copied to a second physical location and made available for on-demand access by the customer via the Prime Data Portal, the intuitive and user friendly client access point. Through this portal the customer gains access to either historical or "live" data (near real time) from Prime's Web Server.

The Portal also shows the physical locations of customer rigs making use of Google maps to track the physical movements of the drilling rig, all based upon GPRS data sent from the rig site.



ProData Rig Module



Prime Horizontal offices

United States, Canada, Mexico, Brazil

Prime Horizontal Inc
 1302 Gulf Boulevard, New Iberia, LA 70560 US
 Ph (US): +1 337 359 9061
 Ph (CA): +1 780 800 6614
 Ph (BRZ): +55 71 3023 0934

Europe, China, Middle East

Prime Horizontal Ltd
 Salland 3
 1948 RE Beverwijk
 The Netherlands
 Phone: +31 251 271 790

Australia, Southeast Asia, India

Prime Horizontal Australia Pty Ltd
 10 Enterprise Street, Cleveland,
 QLD 4163, Australia
 Ph (AUS): +61 73 821 3684
 Ph (IND): Phone: +91 997 172 9753

www.primehorizontal.com